

Phase out of controls for compact compressor racks



Phase out of the Lumity™ XC400/600C controllers and replacement with the XC400/600CX family models



Emerson informs that starting from the middle of April 2022 all models of the XC400/600 family in C format will not be available and they will be replaced with models in CX format.

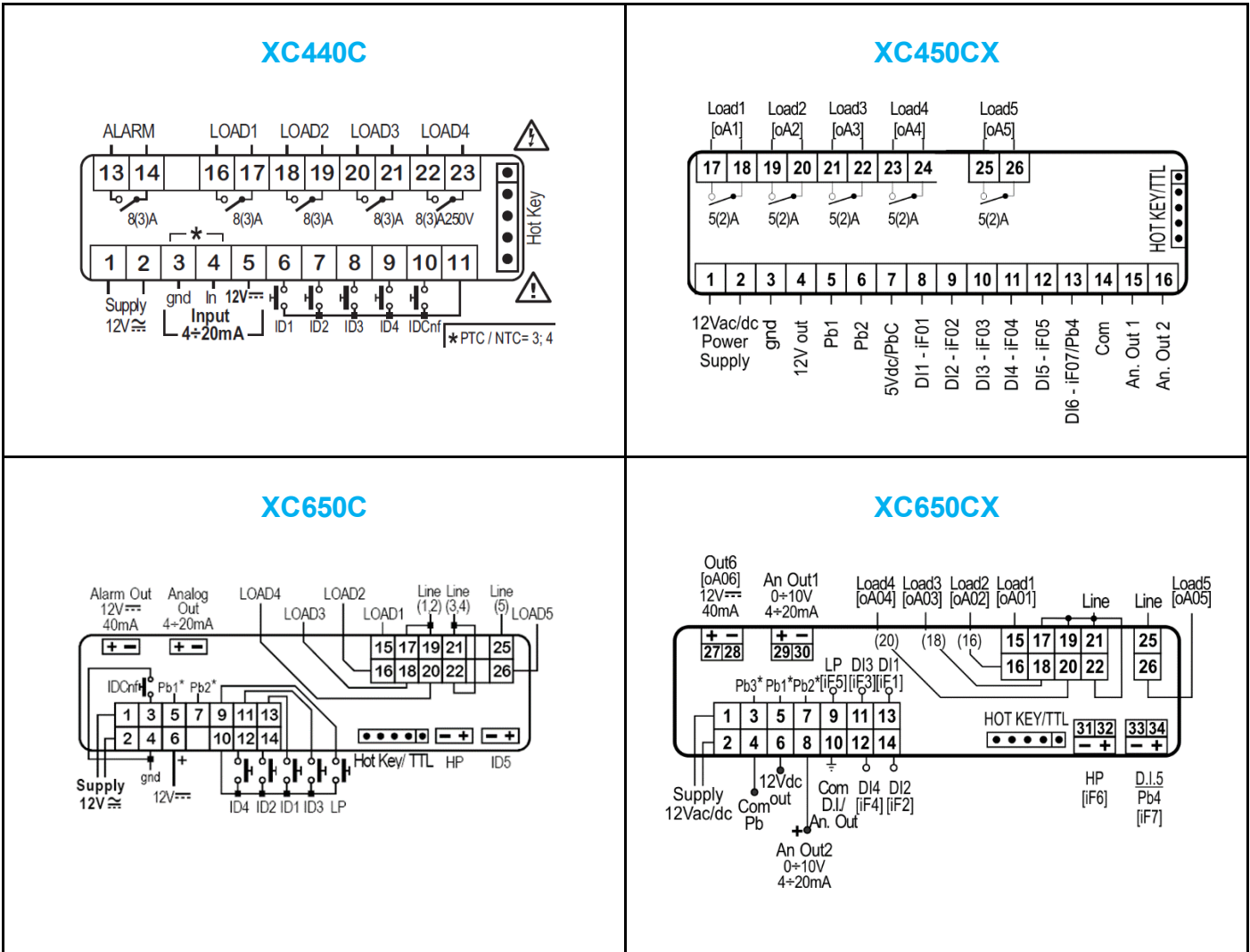
XC400/600 controllers in CX format are characterized by a greater number of functions, improved performances, and are compatible with all Low GWP Refrigerants, in line with market trends and current regulations.

1. C vs CX format

XC400/600 controllers in CX format, compared to those in C format, feature a powerful hardware with additional functions. Visit our web site www.dixell.com or check our previous product news to have more information about the XC400/600CX family. For further information, please contact our Sales dpt. or our Customer Service.

Below is a comparison among wiring diagrams and refrigerant management for C and CX models.

1.1 Wiring diagrams



1.2 Compatible refrigerants

Below the comparative list of compatible refrigerants for XC400/600 in C and CX (rel. 3.5) formats.

XC400/600C	XC400/600CX
r22	r22
	r32
r134A	r134A
	r290 – Propane
r404A	r404A
	r407A
	r407C
	r407F
	r410
	r448A
	r449A
	r450A
	r452A
r507	r507
	r513
	r1234ze
	r744 - Co2
	R515B
	R454A
	R454B
	R454C
	R455A
	R1234YF

2. List of codes in C vs CX format

Below the list of phase out codes and the relative new codes.

XC400/600C	XC400/600CX
XC420C -0C00D	XC450CX -0C04C
XC440C -0C00D	XC450CX -0C04C
XC440C -0C00E	XC450CX -0C04F
XC440C -1C00E	XC450CX -1C15F
XC440C -0C00C	XC450CX -0C04C
XC440C -1C00C	XC450CX -1C05C
XC440C -0B00A	XC450CX -0C04F
XC440C -0B00E	XC450CX -0B04F
XC440C -1B00E	XC450CX -1B04F
XC440C -0P00E	XC450CX -0P04F
XC440C -0B10E	XC450CX -0B15F
XC642C -0B00E	XC650CX -0B04F
XC650C -0C00E	XC650CX -0C05F
XC650C -1C00E	XC650CX -1C05F
XC650C -0C00F	XC650CX -0C05F
XC650C -0B00E	XC650CX -0B05F
XC650C -1B00E	XC650CX -1B05F
XC650C -0B00F	XC650CX -0B05F
XC650C -1C02E	XC650CX -1C05F
XC650C -0C02F	XC650CX -0C05F
XC650C -0B02E	XC650CX -0B05F
XC650C -0B05E	XC650CX -0B05F
XC650C -0B10E	XC650CX -0B15F
XC650C -1B10E	XC650CX -1B15F
XC650C -0B12E	XC650CX -0B15F
XC650C -1B12E	XC650CX -1B15F
XC650C -0C15F	XC650CX -0C15F

3. Pricing

Please contact our sales department for further information or to plan the migration toward the new models.

4. Availability and orders

XC400/600C models can be ordered until the 15th of April included, maximum 50pcs per customer, depending on the availability.

XC400/600CX series is available. Please contact our sales department for delivery time information.